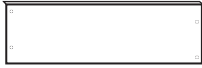


# TEXAS HUNTER FEEDER *Baffle* ASSEMBLY

## MODEL B100 BAFFLE FOR HF100 FEEDER

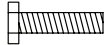
### PARTS:

4 ea. baffle

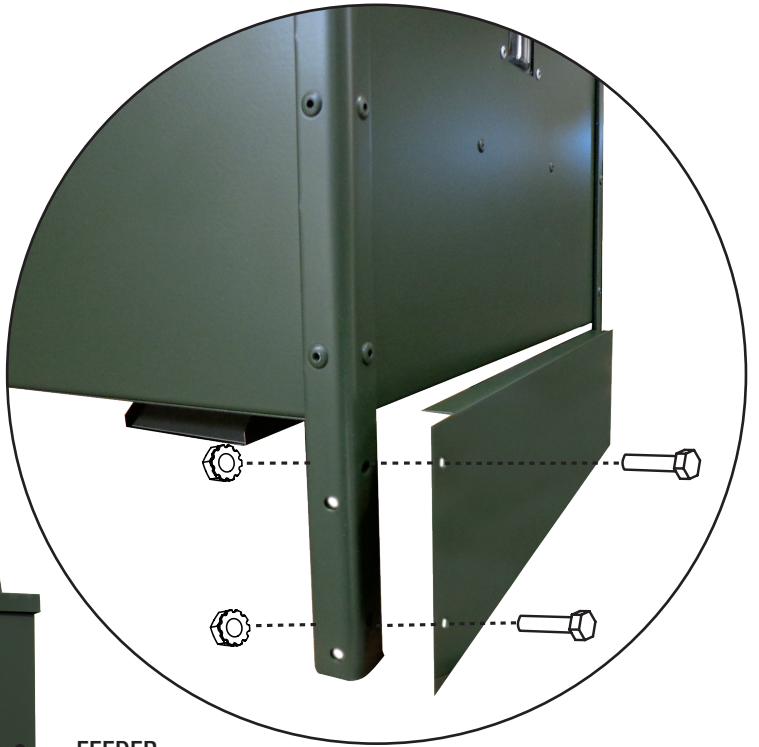


### HARDWARE:

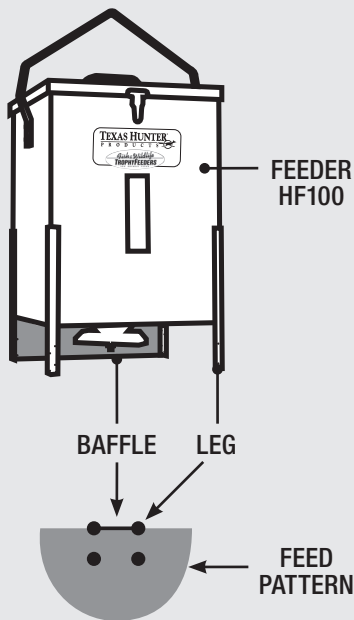
16 ea. 1/4" x 1 3/4" bolts



16 ea. 1/4" locknuts



### ILLUSTRATION DETAIL



FEED WILDLIFE • FISH • BIRDS  
**TEXAS HUNTER**  
 PRODUCTS

### BAFFLE INSTALLATION OPTIONS



ALL DIRECTIONS



THREE DIRECTIONS



TWO DIRECTIONS



TWO DIRECTIONS



ONE DIRECTION



DROP

### OPTIONAL FEED PATTERNS

Thank you for choosing Texas Hunter Products. Questions? Call us at 800.969.3337  
[www.TexasHunter.com](http://www.TexasHunter.com)